

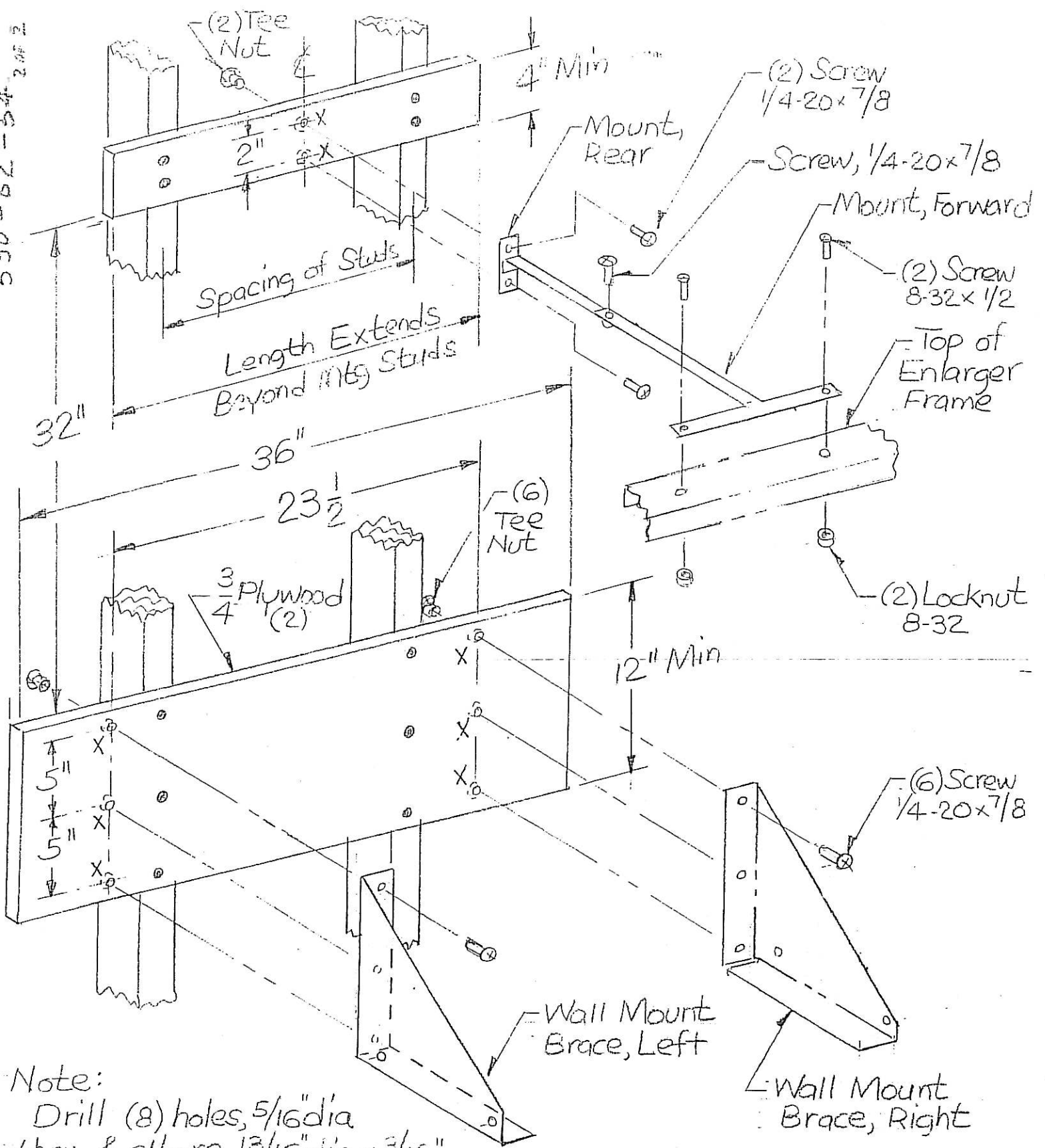
## ASSEMBLY INSTRUCTIONS FOR 45M WALL MOUNT, CAT. NO. 8239

The following components are contained in this package:

<u>Quantity</u>	<u>Item</u>	<u>Part number</u>
1 ea.	Mount, Rear	#10-52010
1 ea.	Mount, Forward	#10-52015
1 ea.	Brace, Wall Mount, Left side	#10-52007-01
1 ea.	Brace, Wall Mount, Right side	#10-52007-02
9 ea.	Screw, Mach. 1/4-20x 7/8"	#527-28-32-01
8 ea.	Tee Nuts, 1/4-20x 3/4"	#546-40-15
2 ea.	Screw, Mach. #8-32x 1/2"	#521-16-02-01
2 ea.	Locknuts, #8-32	#546-55-06

1. Procure 3/4" thick plywood from a lumberyard or hardware store and cut into two pieces to the sizes shown on page 2.
2. Accurately locate, drill and counterbore the holes on both pieces.
3. Install the Tee nuts into the counterbored sides of each panel; two in the upper and six in the lower.
4. Assemble the two braces onto the lower plywood panel using six 1/4-20x 7/8" screws. Space the braces so that the enlarger and baseboard fit properly between them, then tighten the screws.
5. With the braces attached, secure the lower plywood panel onto the wall as illustrated in the drawing.
6. Mount the enlarger onto the braces by first removing the four 1/4-20 screws securing the baseboard support arms to the enlarger, then placing the enlarger and support arms onto the brackets. Align the four holes of the brackets with those on the enlarger base. Secure in place using the four 1/4-20 screws.
7. Attach the forward mount to the top of the enlarger frame using the two 8-32x 1/2" machine screws and locknuts. Join this with the rear mount using a 1/4-20x 7/8" screw.
8. From the illustration, determine the proper placement of the upper plywood panel and securely fasten it to the wall.
9. Position and secure the rear mount to the mounting holes of the upper panel using two 1/4-20x 7/8" machine screws.

590-62-54  
2 of 2



Note:  
 Drill (8) holes, 5/16" dia thru & c'bore 13/16" dia x 3/16" deep on rear side of plywood mtg boards at locations marked "X" & drive the (8) Tee Nuts into the mtg boards from the rear as shown above